



## 【Model:FWK2436】

### General Info

#### The advantages are as followings:

1. According to the characteristic of LED heat dissipation, the mechanical design and thermal principle are used to carry out to structural design of luminaire, combined with the material of high-thermal conductivity of high-purity aluminum alloy and the special processing technology , the effect of heat conduction, heat convection and heat radiation has been improved significantly, so that make “Wu Kong ” Square series luminaires to achieve much more smaller, less weight, high light efficiency , energy saving, environmental protection and low carbon innovative products.
2. “Wu Kong” square series luminaire, integrated 10 ° shielding angle into the antiglare design, which is beautiful appearance, novel structure, easy for installation and adjustment.

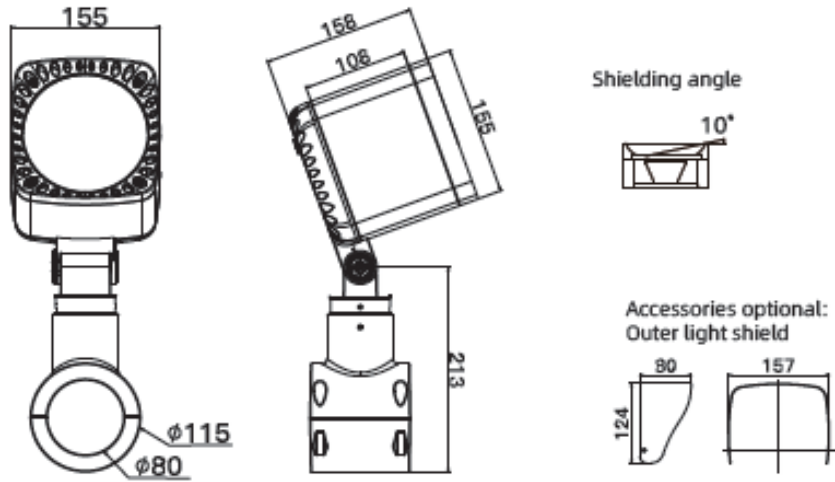
**Control:** Standard DMX512 (1990) protocol compatible.

**Application:** Suitable for lighting of Square, outdoor landscape, green landscape lighting etc.

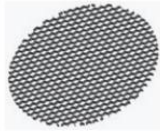
## Technical Parameter

Model	FWK2436
LED lifespan	50,000 hours
LED quantity	6 PCS
LED color(color change)	4 in 1 red/green/blue/white
Beam angle(FWHM)	12° /15° /20° /30° /40° /55° /3015° /5030°
Shielding angle	10°
Housing	Die-cast aluminum/aluminum alloy housing , Dark gray powder paint with high corrosion resistance
Glass material	5mm thickness toughened ultra-white glass
LED driver	1000mA constant current driver
Power input	100 ~ 240VAC ± 10%,50/60Hz;24V DC
Power consumption	<b>80W</b>
Ingress protection	IP66
Power cable	3*1.0mm <sup>2</sup> rubber cable(High voltage);2*1.0mm <sup>2</sup> rubber cable(Low voltage)
Signal cable	CAT5-SFTP-4P(Controllable)
Control	DMX512(1990)
Classification	I;III
Anti-static	IEC61000-4(Level 4)
Ambient operating temperature	-20°C~+55 °C(Ta+10°C)
Power Factor(PF)	≥0.9
Inrush current(Max)	50A
Net weight	3.4KG

## Dimension (mm)



## Accessories Optional



Outer light shield   Honeycomb anti-glare net   Deep cylinder anti-glare shield