



【Model:FWK2476】

General Info

The advantages are as followings:

1. According to the characteristic of LED heat dissipation, the mechanical design and thermal principle are used to carry out to structural design of luminaire, combined with the material of high-thermal conductivity of high-purity aluminum alloy and the special processing technology , the effect of heat conduction, heat convection and heat radiation has been improved significantly, so that make “Wu Kong ” Square series luminaires to achieve much more smaller, less weight, high light efficiency , energy saving, environmental protection and low carbon innovative products.
2. “Wu Kong” square series luminaire, integrated 10 ° shielding angle into the antiglare design, which is beautiful appearance, novel structure, easy for installation and adjustment.

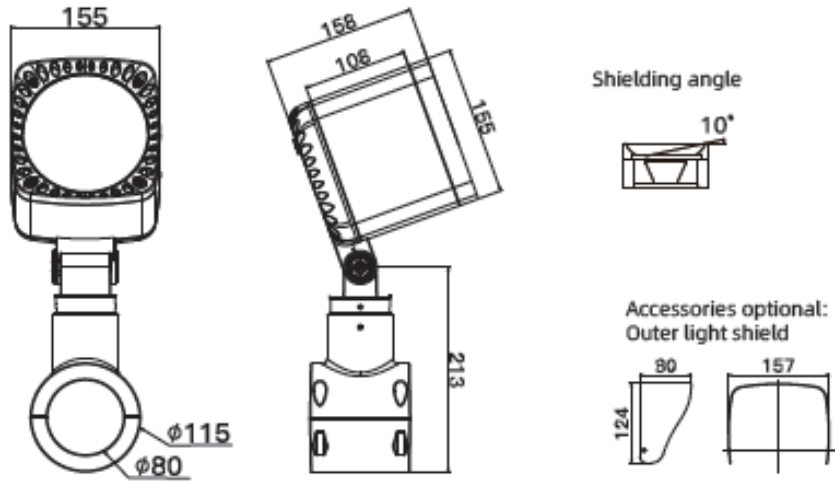
Control: Standard DMX512 (1990) protocol compatible.

Application: Suitable for lighting of Square, outdoor landscape, green landscape lighting etc.

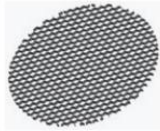
Technical Parameter

Model	FWK2476
LED lifespan	50,000 hours
LED quantity	4 PCS
LED color(color change)	7 in 1 Red/Green/Blue/Lemon/Amber/Cyan/Chinese red
Beam angle(FWHM)	30°
Shielding angle	10°
Housing	Die-cast aluminum/aluminum alloy housing , Dark gray powder paint with high corrosion resistance
Glass material	5mm thickness toughened ultra-white glass
LED driver	900mA constant current driver
Power input	100 ~ 240VAC ± 10%,50/60Hz;24V DC
Power consumption	80W
Ingress protection	IP66
Power cable	3*1.0mm ² rubber cable(High voltage);2*1.0mm ² rubber cable(Low voltage)
Signal cable	CAT5-SFTP-4P(Controllable)
Control	DMX512(1990)
Classification	I;III
Anti-static	IEC61000-4(Level 4)
Ambient operating temperature	-20°C~+55 °C(Ta+10°C)
Power Factor(PF)	≥0.9
Inrush current(Max)	50A
Net weight	3.4KG

Dimension (mm)



Accessories Optional



Outer light shield Honeycomb anti-glare net Deep cylinder anti-glare shield